

6

5

4

3

2

1

D

D

C

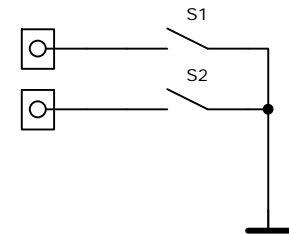
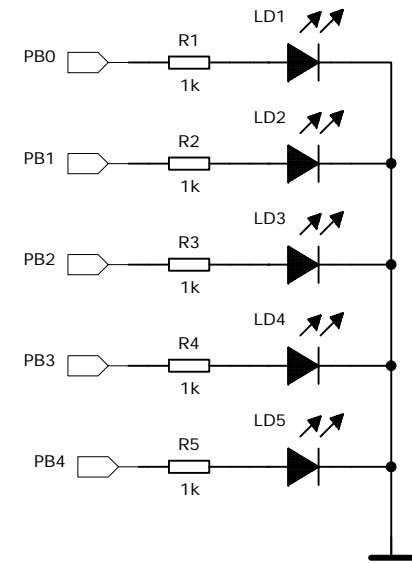
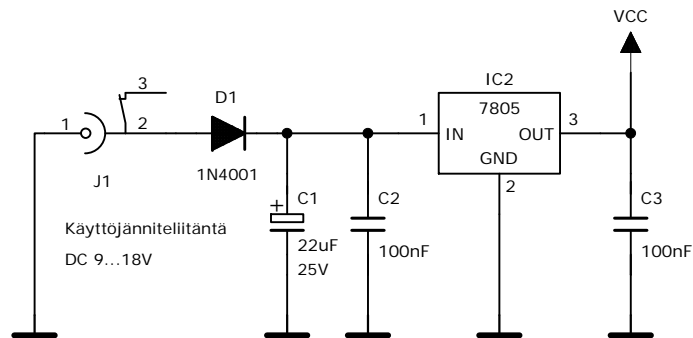
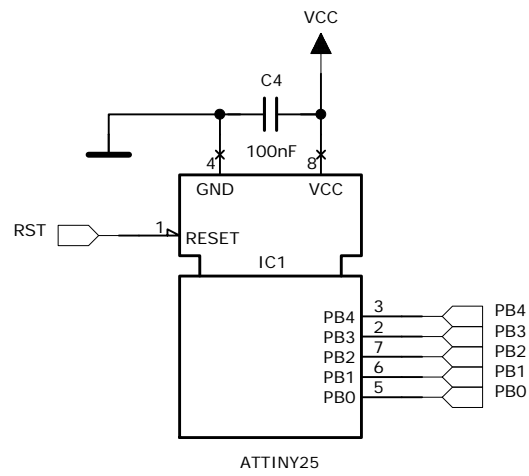
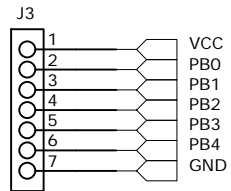
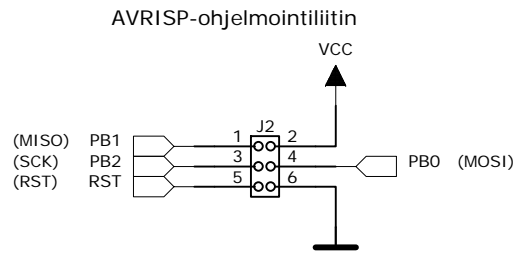
C

B

B

A

A



TietoPetri Oy

<http://www.tietopetri.fi>

DRAWN:	DATED:	TITLE:
PKo	01.06.2011	AT25/45/85 PROTO BOARD
CHECKED:	DATED:	

6

5

4

3

2

1

D

D

C

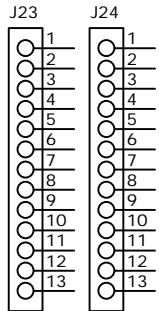
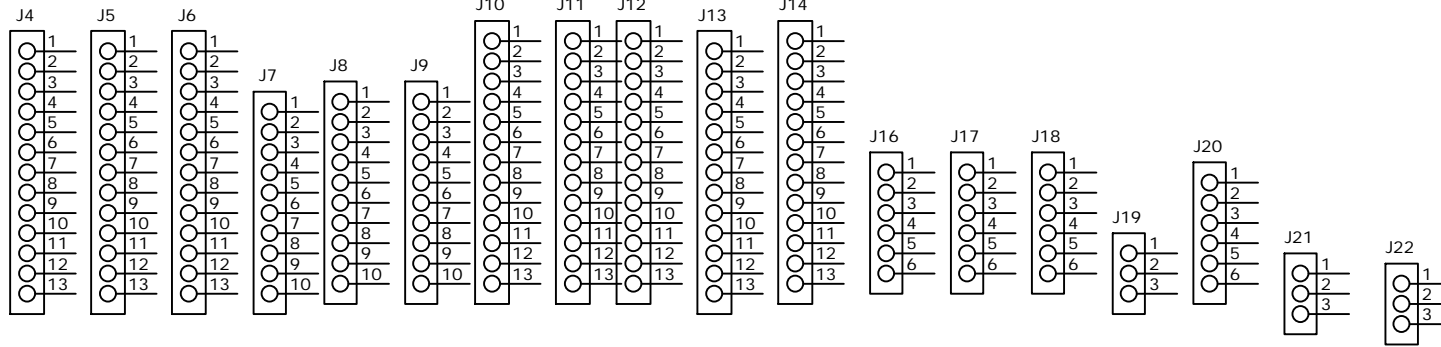
C

B

B

A

A



Tietomyrsky Oy
<http://www.tietomyrsky.fi>

DRAWN: PKo	DATED: 01.06.2012	TITLE: AT25/45/85 PROTO BOARD
CHECKED:	DATED:	