

6

5

4

3

2

1

D

D

C

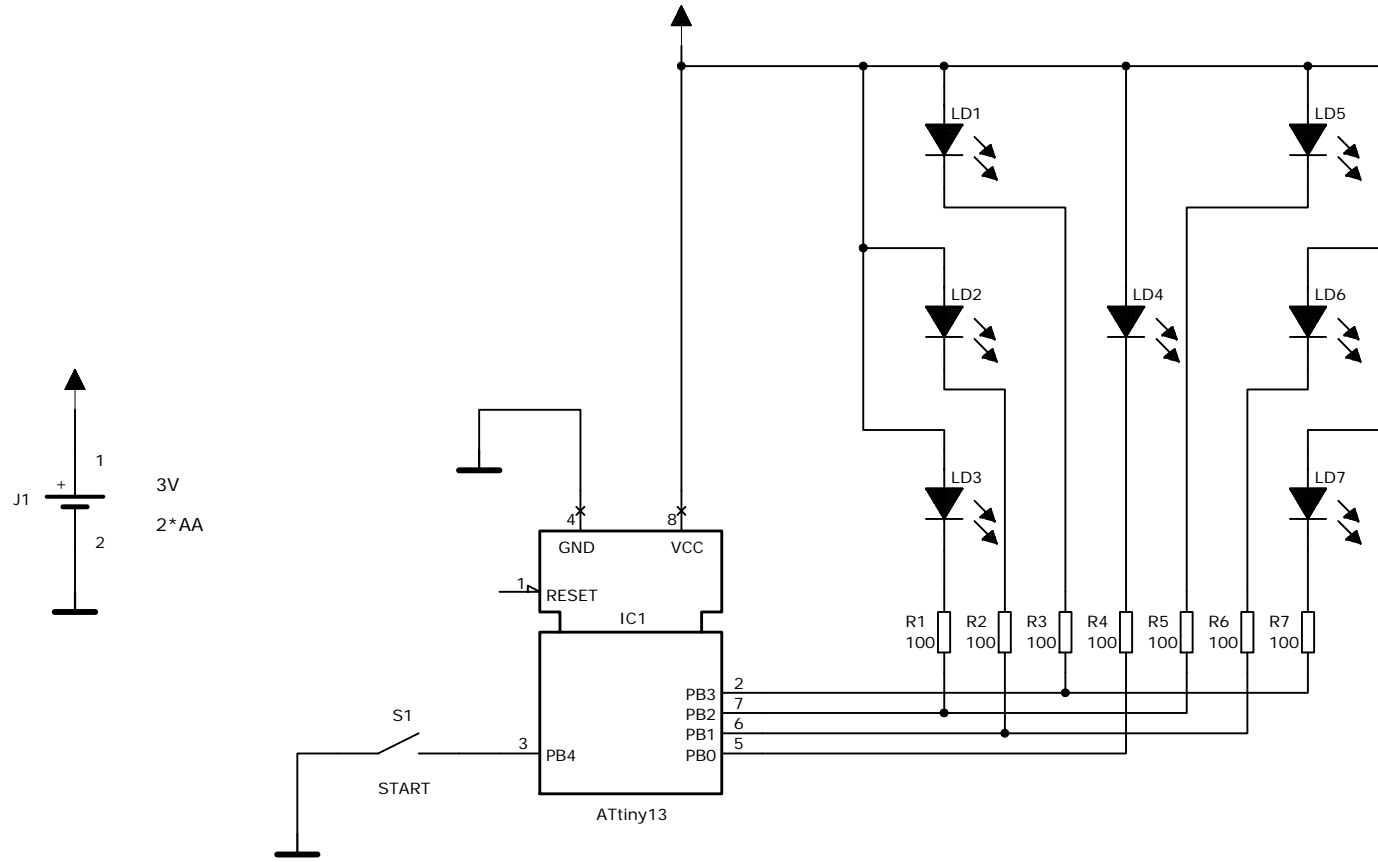
C

B

B

A

A



NUMERO 6 = PB1 + PB2 + PB3

NUMERO 5 = PB0 + PB2 + PB3

NUMERO 4 = PB2 + PB3

NUMERO 3 = PB0 + PB2

NUMERO 2 = PB2

NUMERO 1 = PB0

TietoPetri Oy

<http://www.tietopetri.fi>

DRAWN: <Drawn By>	DATED: <Drawn Date>
CHECKED: <Checked By>	DATED: <Checked Date>

TITLE:

Noppa